

# Sound Hardware DIY Workshop – Day 3

Aubery Lis  
[eka@auberylis.moe](mailto:eka@auberylis.moe)

Estonian Academy of Arts, January 2024

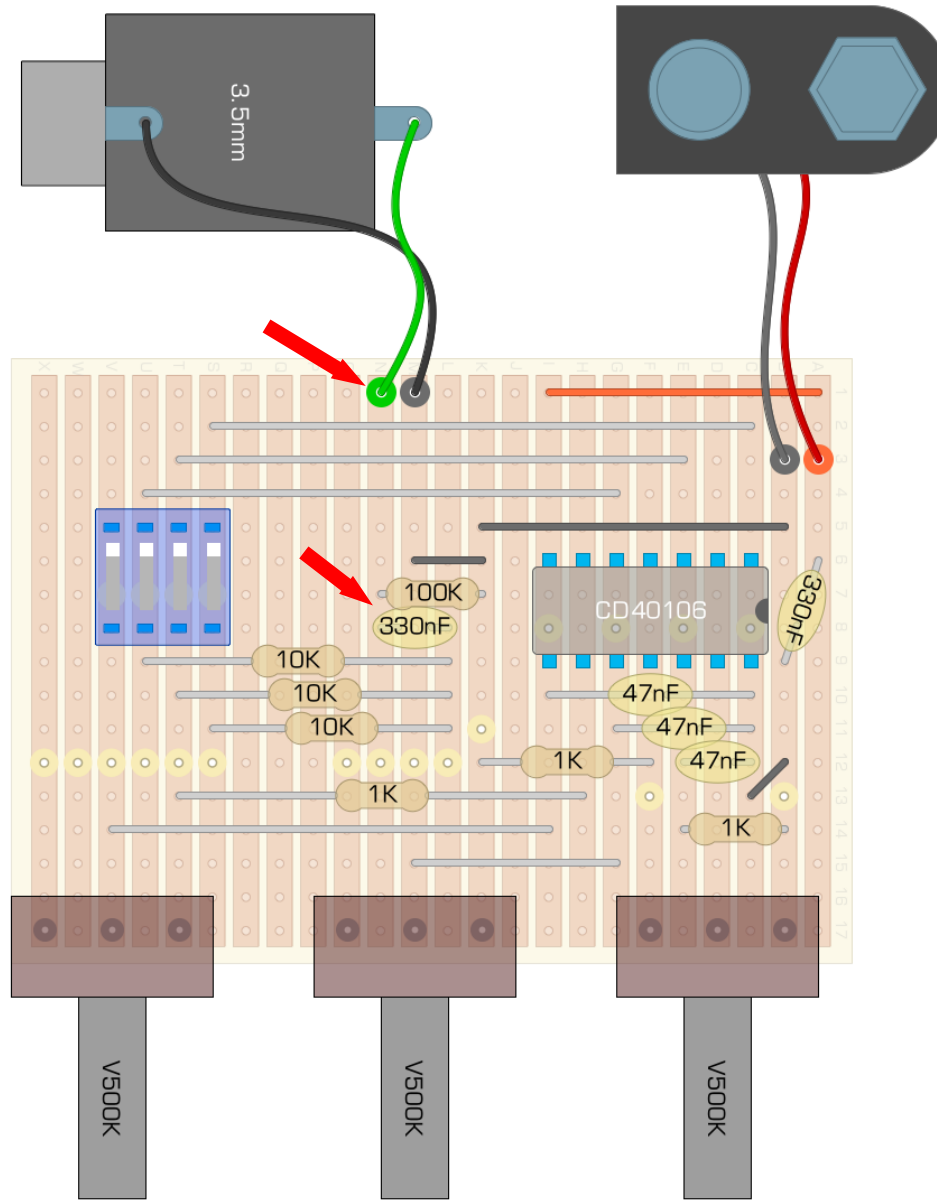
# Last session recap

- What's a veroboard? How is it different from a breadboard?
- Are there alternatives to veroboards?
- What is a potentiometer? How many pins does it have? Why do we need it? What happens if there is a fixed (usual) resistor in series with the potentiometer?
- What's inside an integrated circuit? How do we find out what it does?

# Today

- Adding a DC decoupling filter to the output
- Discussing possible modifications
- Adding one modification to the board

# Layout – step 7



# Layout - step 8

